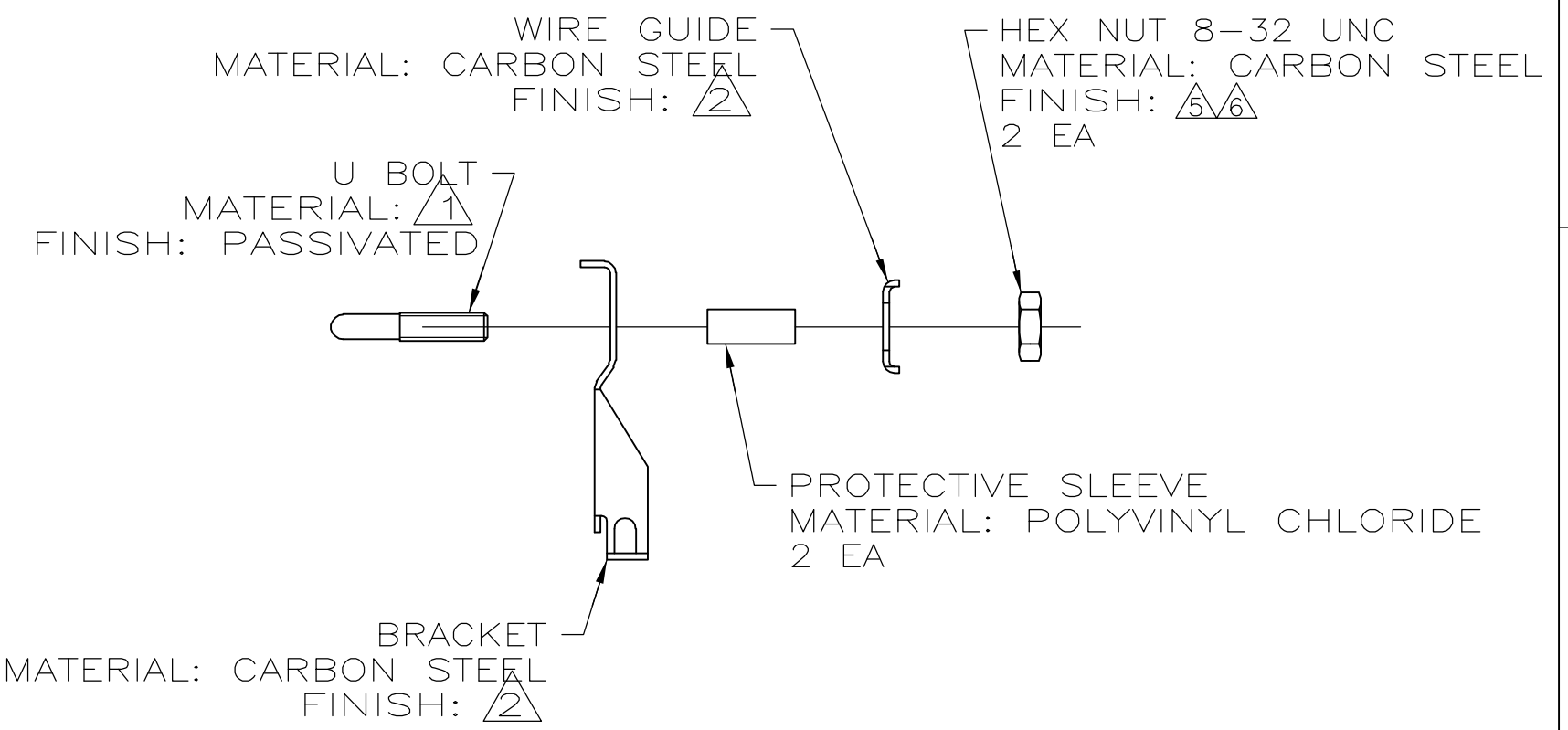
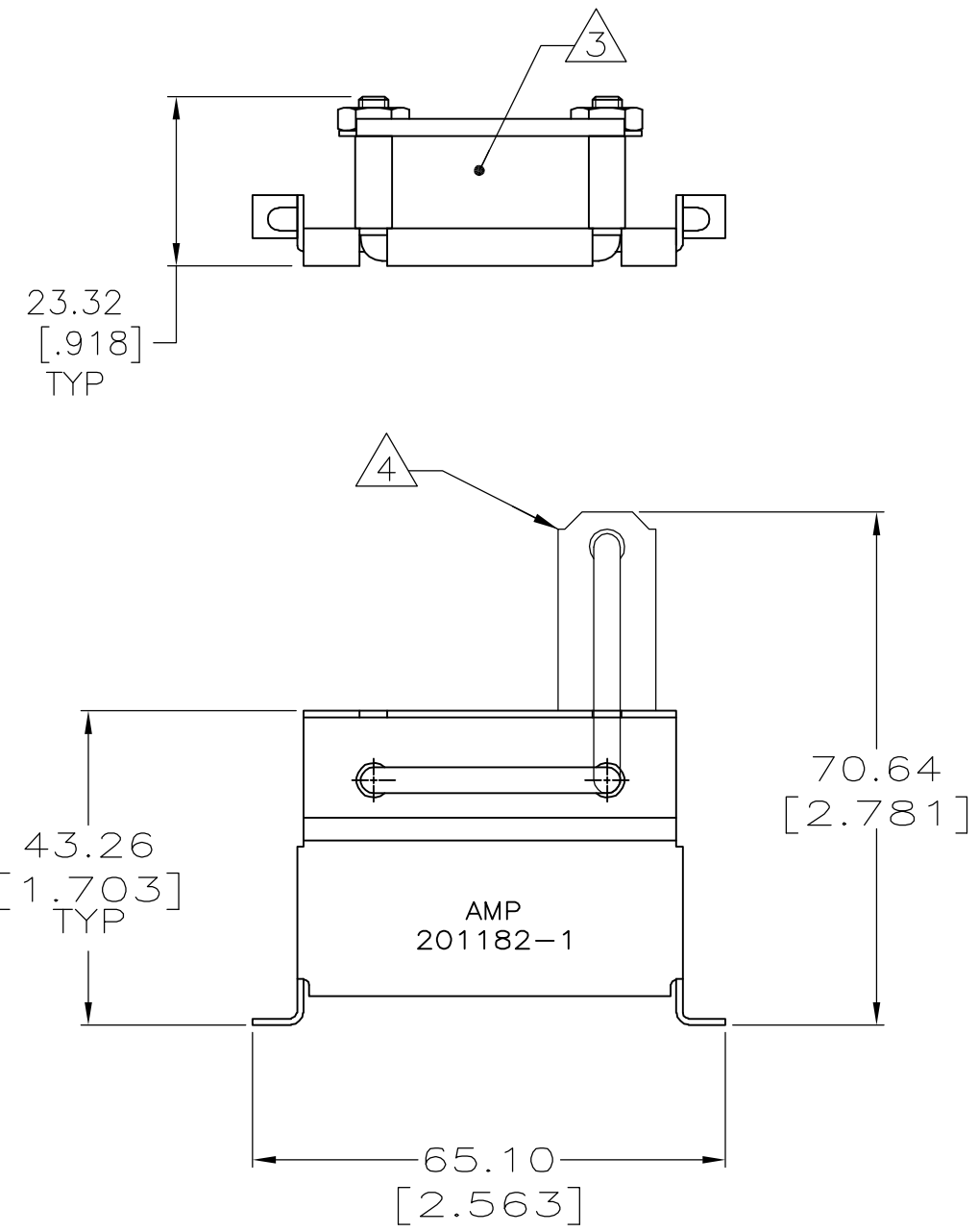


THIS DRAWING IS UNPUBLISHED. RELEASED FOR PUBLICATION  
 © COPYRIGHT - BY TYCO ELECTRONICS CORPORATION. ALL RIGHTS RESERVED.

LOC	DIST	REVISIONS					
FT	0	P	LTR	DESCRIPTION	DATE	DWN	APVD
			L1	REVISED PER ECO-05-4934	7/21/05	SS	GS



ASSEMBLED VIEW

- ① STAINLESS STEEL.
- ② 5.08um[.000200] MIN NICKEL.
- ③ 384.52 SQ mm[.596 SQ IN] MAX CABLE AREA.
- ④ ALTERNATE POSITION OF CLAMP FOR 90° CABLE OUTLET.
- ⑤ ZINC PLATED WITH HEXAVALENT CHROMIUM.
- ⑥ ZINC PLATED WITH NON-HEXAVALENT CHROMIUM.

⑥	201182-4
⑤	201182-1
NUT FINISH	PART NUMBER

THIS DRAWING IS A CONTROLLED DOCUMENT.		DWN C.REIFSNYDER 17 APR 96	Tyco Electronics Corporation Harrisburg, Pa 17105-3608				
DIMENSIONS: mm [INCHES]		CHK R.STONE 24 MAY 96					
TOLERANCES UNLESS OTHERWISE SPECIFIED:		APVD G. STEINHAUER 21 JUN 96	NAME CLAMP KIT, UNASSEMBLED, STRAIN RELIEF, 50 PLACE, M SERIES				
0 PLC ± - 1 PLC ± - 2 PLC ± 0.38[.015] 3 PLC ± - 4 PLC ± - ANGLES ± -		PRODUCT SPEC -	SIZE A3	CAGE CODE 00779	DRAWING NO C-201182	RESTRICTED TO -	
MATERIAL SEE CALLOUTS		FINISH SEE CALLOUTS	WEIGHT -	SCALE 2:1		SHEET 1 OF 1	REV L1
CUSTOMER DRAWING							